

READ AND FOLLOW ALL SAFETY INSTRUCTIONS! SAVE THESE INSTRUCTIONS AND DELIVER TO OWNER AFTER INSTALLATION.

⚠ WARNING: RISK OF ELECTRIC SHOCK

- Before installation or servicing **DISCONNECT POWER BY TURNING OFF THE CIRCUIT breakers both to the outlet box and to its associated wall switch.**
- Installation and service of luminaires should be performed by a qualified licensed electrician in accordance with all local and National Electrical Codes.
- Do not install damaged product
- Verify that supply voltage is correct by comparing it with the luminaire label information.
- All wiring connections should be capped with UL approved recognized wire connectors.

⚠ WARNING: RISK OF INJURY

- Allow luminaire to cool before servicing.
- Follow all manufacturer's warning and restrictions for driver type, mounting locations, replacement and recycling.
- Wear safety glasses and gloves when installing, maintaining or servicing.
- Avoid direct eye exposure to the light source while it is on.

⚠ WARNING: RISK OF FIRE

- Do not separate any other wires that may be in the box.
- Do not damage the insulation of older wiring.
- In regular circumstances the **BLACK** wire will be the "Hot" lead and the **WHITE** wire will be the "Neutral" or "Common" lead. A **GREEN** or **BARE COPPER** wire is "Ground". In older buildings, it is always good practice to reconfirm the polarity of the wiring.

⚠ RISK OF PRODUCT DAMAGE

- Never connect components under load.
- Do not touch the yellow surface of the LED as it may damage the light engine.

◆ TOOLS REQUIRED



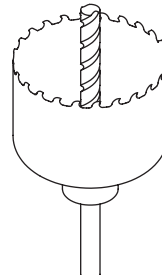
Screw Driver
Flat Head



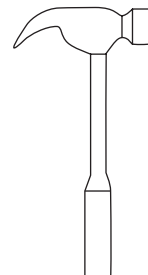
Screw Driver
#1 Philips



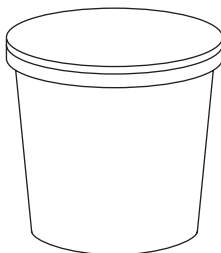
Screw Driver
#2 Philips



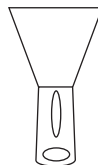
Hole Saw
(Or Speed Router)



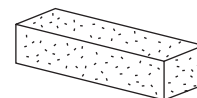
Claw Hammer



Drywall Mud



Drywall Knife

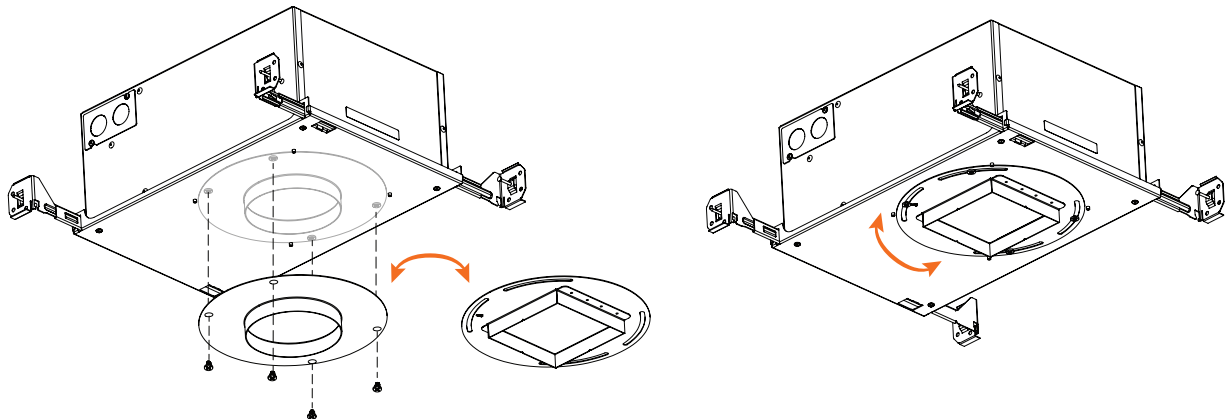


Sanding Block

PREPARATION

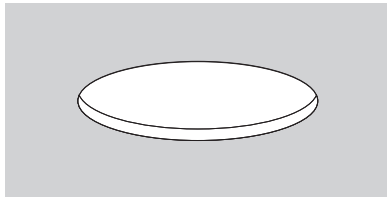
◆ PREPARATION | Square Trimless and 1" Round Application Only

Remove round luminaire collar, attached square luminaire collar (provided with Square mud-ring), and align collar to the desired angle.



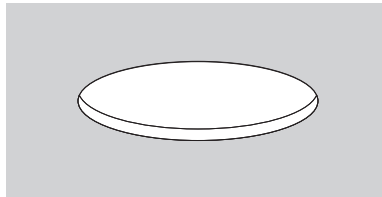
◆ PREPARATION | For All Applications

Measure before you cut. Consult the ceiling cutout table below to determine your application ceiling cutout requirements.



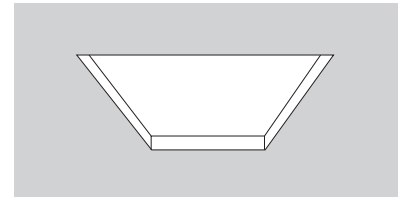
Flanged Trim
Ceiling Cutout Table

Model	1 IN	3 IN	5 IN
Cutout Size	Ø 2 ³ / ₈ " (Ø 60.3 mm)	Ø 3 ⁷ / ₈ " (Ø 98.4 mm)	Ø 5 ¹ / ₈ " (Ø 130.2 mm)



Round Trimless
Ceiling Cutout Table

Model	1 IN	3 IN	5 IN
Cutout Size	Ø 3 ¹ / ₈ " (Ø 79.4 mm)	Ø 4 ³ / ₈ " (Ø 111.1 mm)	Ø 5 ³ / ₄ " (Ø 146.1 mm)

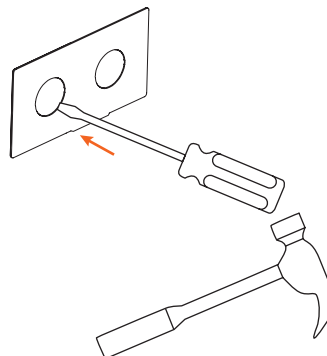


Square Trimless
Ceiling Cutout Table

Model	1 IN	3 IN	5 IN
Cutout Size	L 2 ¹ / ₂ " (L 63.5 mm)	L 3 ³ / ₄ " (L 95.3 mm)	L 5 ¹ / ₈ " (L 130.2 mm)

◆ PREPARATION | For All Applications

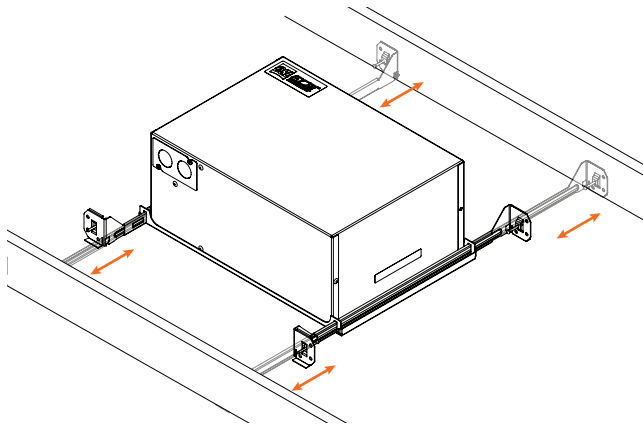
Remove knock-out(s) where needed with a flat-head screwdriver and hammer.



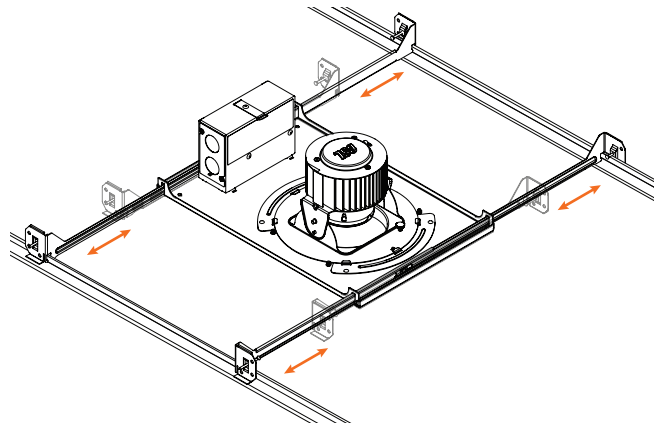
INSTALLATION

◆ STEP 1 | Hanger Bars Adjustment

Adjust the hanger bars to fit between joists (For suspended ceiling, remove the required tile).



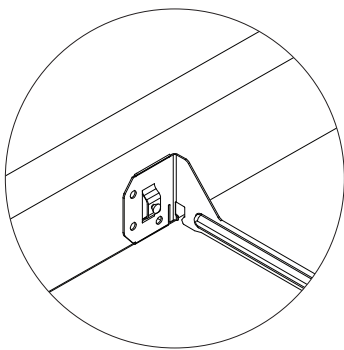
Joist Application
AIC Model



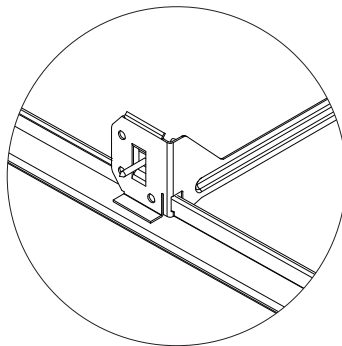
T-Bar Application
ANC Model

◆ STEP 2 | Secure Hanger Bars

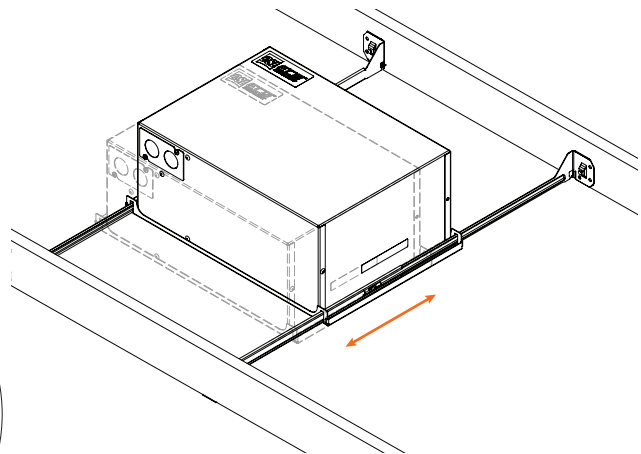
- For wood joists, Line up the bottom of the hanger bars to the bottom of the joists and nail the ends of the hanger bars to the joists.
- For suspended ceiling (T-Bar), Snap in place the hanger bars on the suspended ceiling T-Bar.



Wood



T-Bar

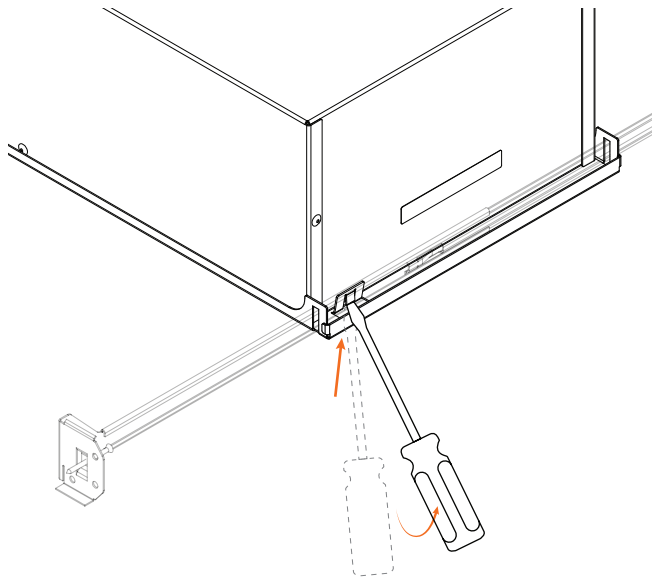


AIC Model

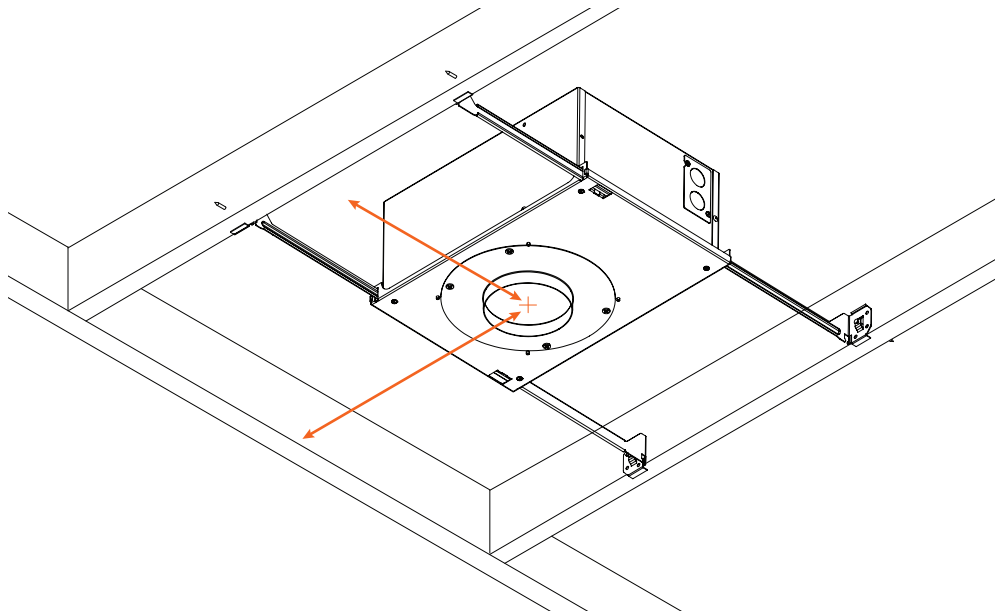
INSTALLATION

◆ **STEP 3 | Secure System**

Slide the bottom plate to the desired position and use a flat head screwdriver to tilt the locking tabs into the hanger bars until system is secure.

◆ **STEP 4 | Position Measurement**

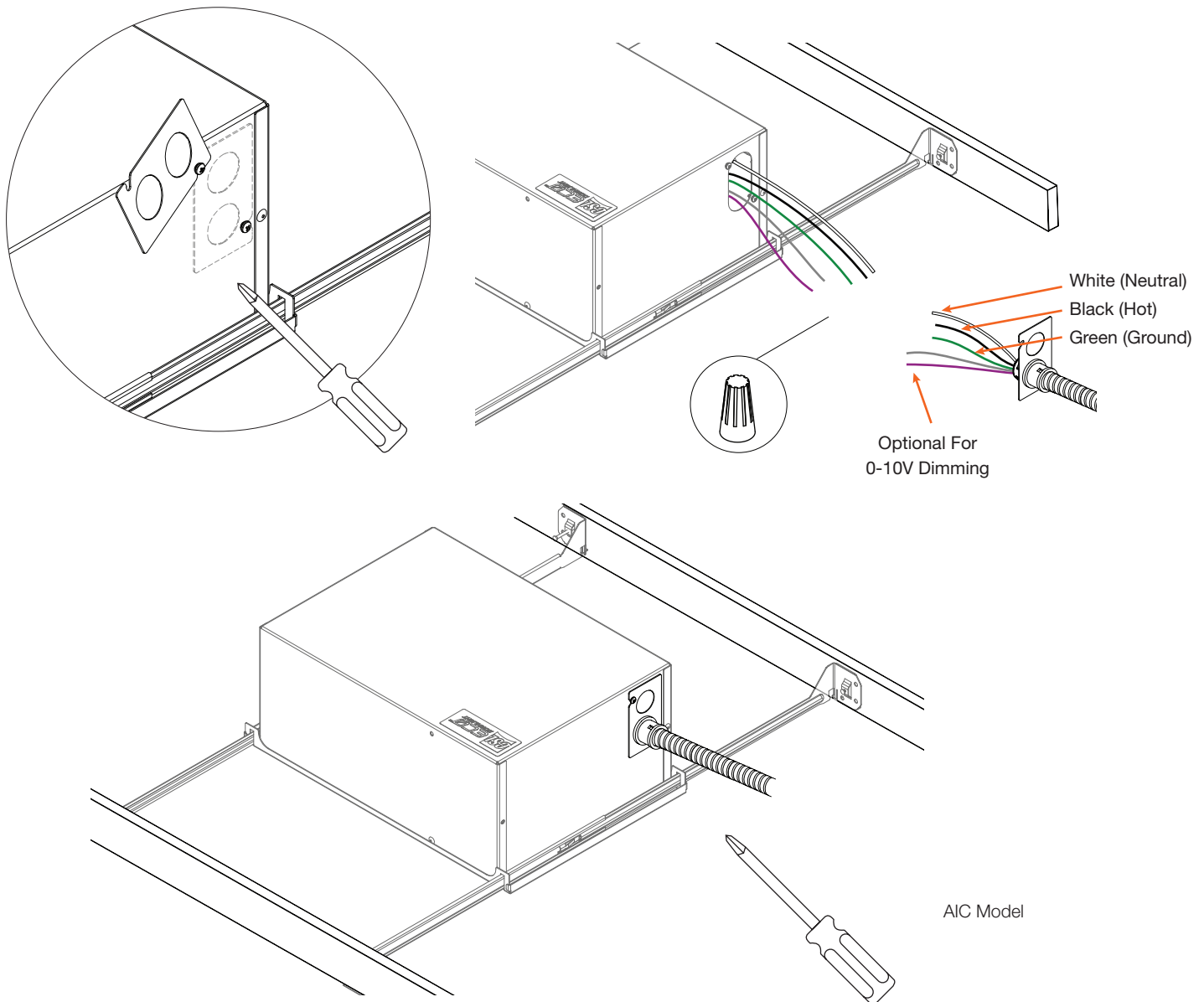
Measure and mark the location of the pan hole from wood joists/T-Bars.



INSTALLATION

◆ **STEP 5 | Make Electrical Connection**

- Using a #1 Phillips screwdriver, remove knockout plate.
- Pull the pre-installed conduit and supply wires to luminaire.
- With a flathead screwdriver and hammer, punch-out knock-out(s).
- Using a UL listed conduit connector secure connector to the knock-out plate, passing supply wires through connector.
- Connect supply wires using approved wire nuts to the luminaire using the wiring diagrams shown.
- Reattach knockout plate.

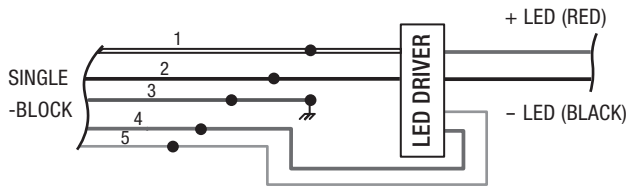


INSTALLATION

◆ STEP 5 | Wiring Diagrams

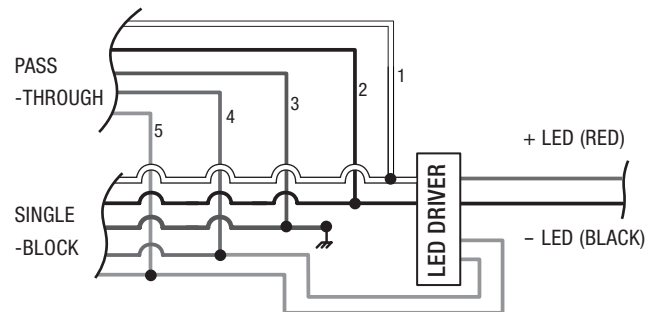
TRI-DIMMING

For Single-Block Connection



- 1/ NEUTRAL (WHITE)
- 2/ LINE (HOT) - (BLACK)
- 3/ GROUND (GREEN)
- 4/ + DIM (PURPLE)
- 5/ - DIM (GRAY)

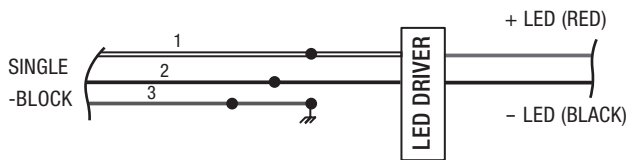
For Pass-Through Connection



- 1/ NEUTRAL (WHITE)
- 2/ LINE (HOT) - (BLACK)
- 3/ GROUND (GREEN)
- 4/ + DIM (PURPLE)
- 5/ - DIM (GRAY)

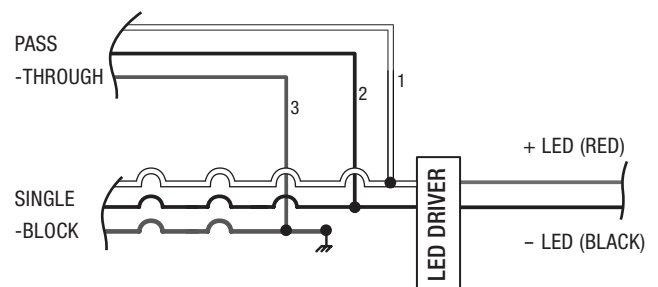
PHASE DIMMING ONLY

For Single-Block Connection



- 1/ NEUTRAL (WHITE)
- 2/ LINE (HOT) - (BLACK)
- 3/ GROUND (GREEN)

For Pass-Through Connection

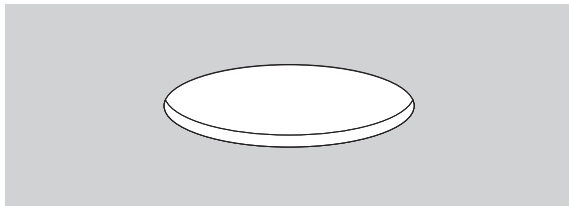


- 1/ NEUTRAL (WHITE)
- 2/ LINE (HOT) - (BLACK)
- 3/ GROUND (GREEN)

INSTALLATION

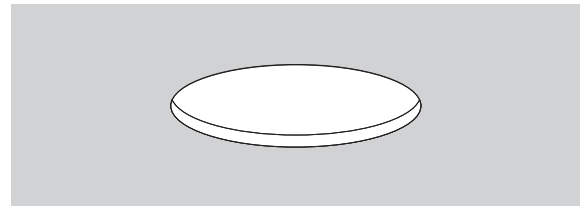
◆ STEP 6 | Ceiling Cutout + Installation

- Consult the appropriate "Ceiling Cutout Table" below before cutting the ceiling or tile is attached.
Note: FLANGED, ROUND TRIMLESS and SQUARE TRIMLESS applications require different cutout sizes.
- Cut ceiling hole at the pre-measured location using a hole saw or speed router to the size indicated within the "Ceiling Cutout Table" below.
- Attach ceiling or tile ensuring the ceiling hole pass over the luminaire collar.
- If painting the ceiling with luminaire installed keep paint masking cover installed within Luminaire body during painting and remove once paint has fully dried.



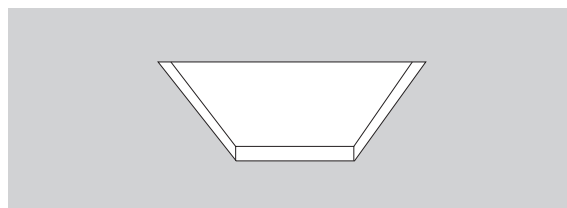
Flanged Trim
Ceiling Cutout Table

Model	1 IN	3 IN	5 IN
Cutout Size	Ø 2 ³ / ₈ " (Ø 60.3 mm)	Ø 3 ⁷ / ₈ " (Ø 98.4 mm)	Ø 5 ¹ / ₈ " (Ø 130.2 mm)



Round Trimless
Ceiling Cutout Table

Model	1 IN	3 IN	5 IN
Cutout Size	Ø 3 ¹ / ₈ " (Ø 79.4 mm)	Ø 4 ³ / ₈ " (Ø 111.1 mm)	Ø 5 ³ / ₄ " (Ø 146.1 mm)

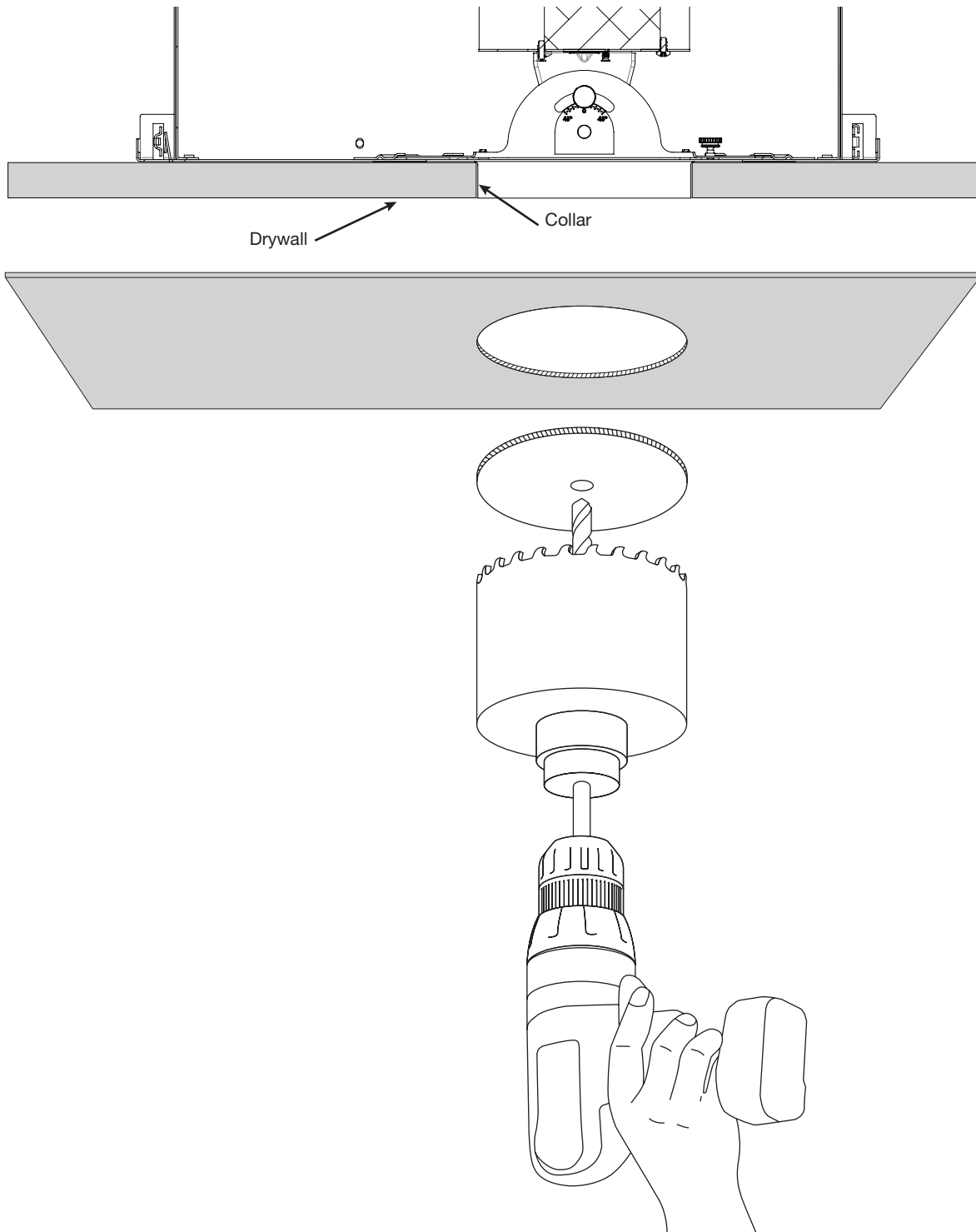


Square Trimless
Ceiling Cutout Table

Model	1 IN	3 IN	5 IN
Cutout Size	L 2 ¹ / ₂ " (L 63.5 mm)	L 3 ³ / ₄ " (L 95.3 mm)	L 5 ¹ / ₈ " (L 130.2 mm)

INSTALLATION

◆ **STEP 6** | Ceiling Cutout + Installation



INSTALLATION

◆ **STEP 7** (Does not apply to SIC model) | Light Beam Adjustment (PAN + TILT)

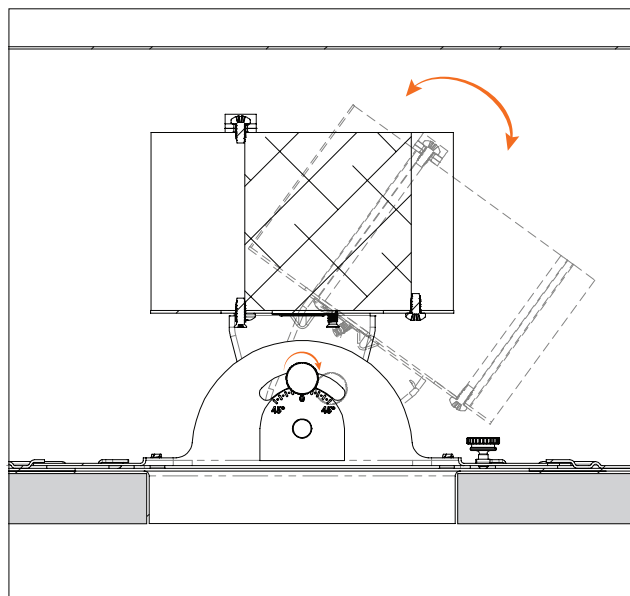
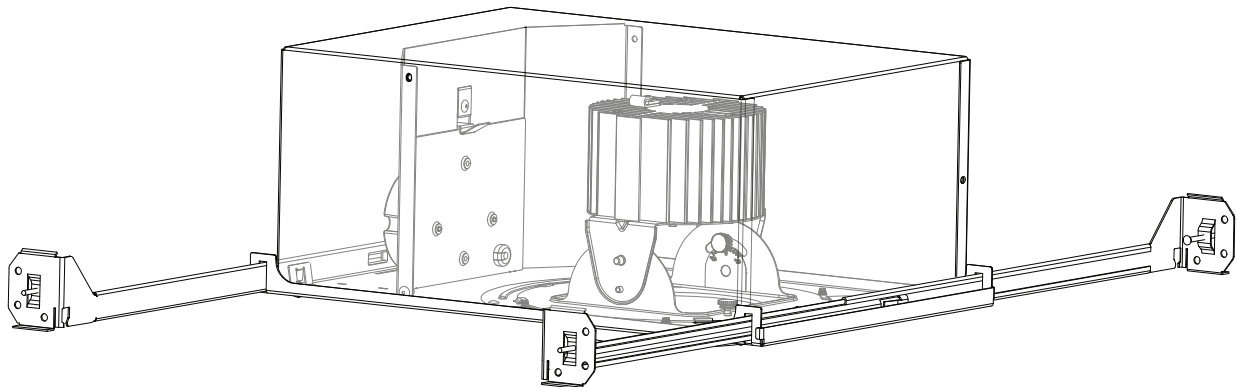
Light beam can be adjusted through pan and tilt functions, accessible via the thumbscrews in the housing.

PAN

- With one hand loosen the pan thumbscrew.
- Pan system to the desired position and tighten thumbscrews securing system.

TILT

- Loosen the two tilt thumbscrews on side of the optic.
- Tilt to the desired angle and tighten thumbscrews securing system at tilt angle.



INSTALLATION

◆ STEP 8 (Optional) | SilentVu™ Optic and Media Installation or Replacement

Eco Downlight ships with 50deg optic installed. If ordered, alternate optics and media will be included with the shipment and will need to be installed.

Removing Installed Optic

FOR 1 INCH

- Remove Optic Holder, and using Optic Installation Tool, snap tool over Optic.
- Rotate counterclockwise and pull-out Optic from Luminaire.

FOR 3 INCH, 5 INCH

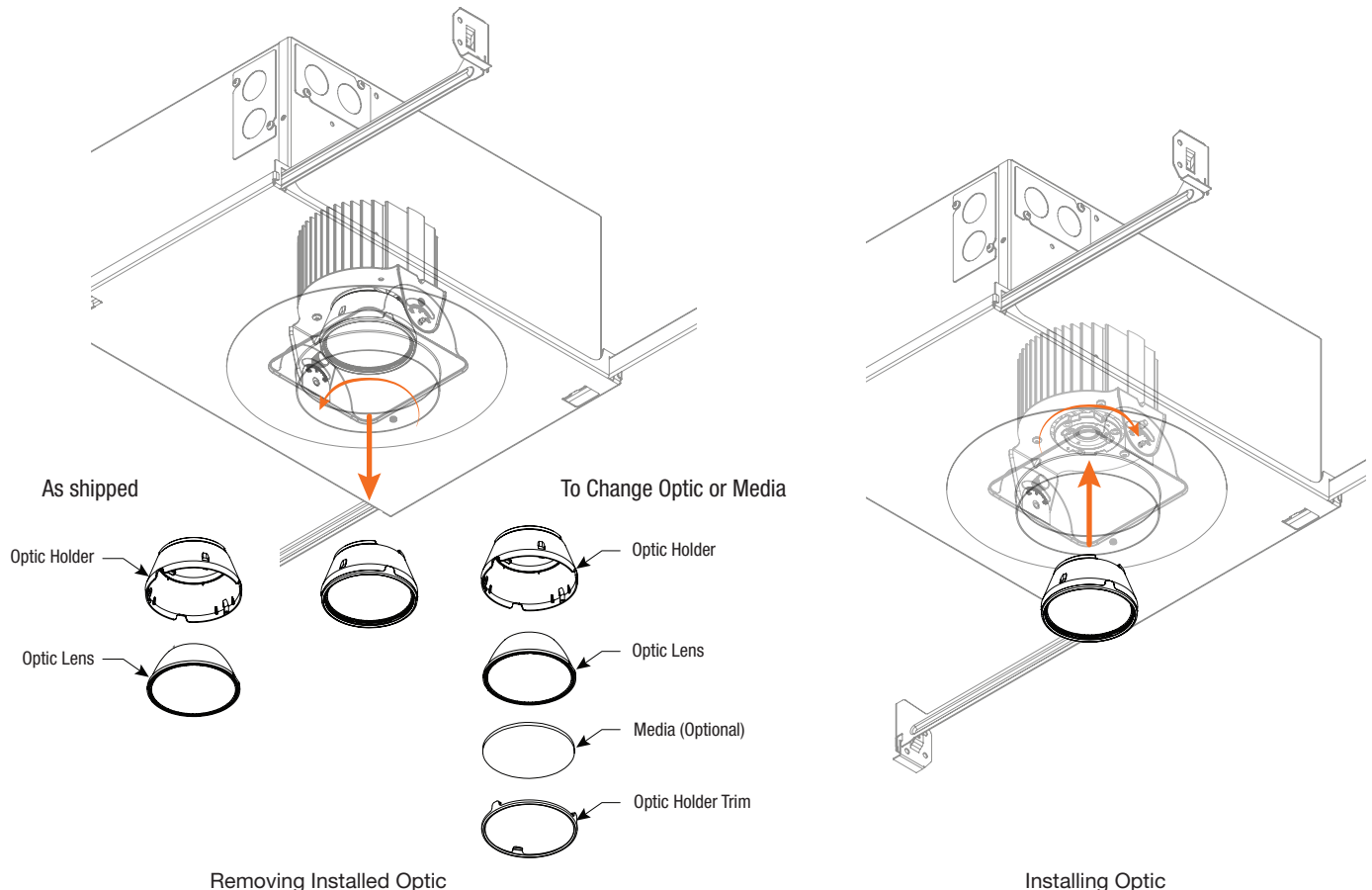
- With one hand, rotate the Optic counterclockwise and pull-out Optic from Luminaire.

Installing Optic

- Reattach Optic Holder if necessary.
- Aligning the tabs on the Optic to the slots on the Luminaire push and rotate the Optic clockwise securing the Optic to the Luminaire.

Adding Media

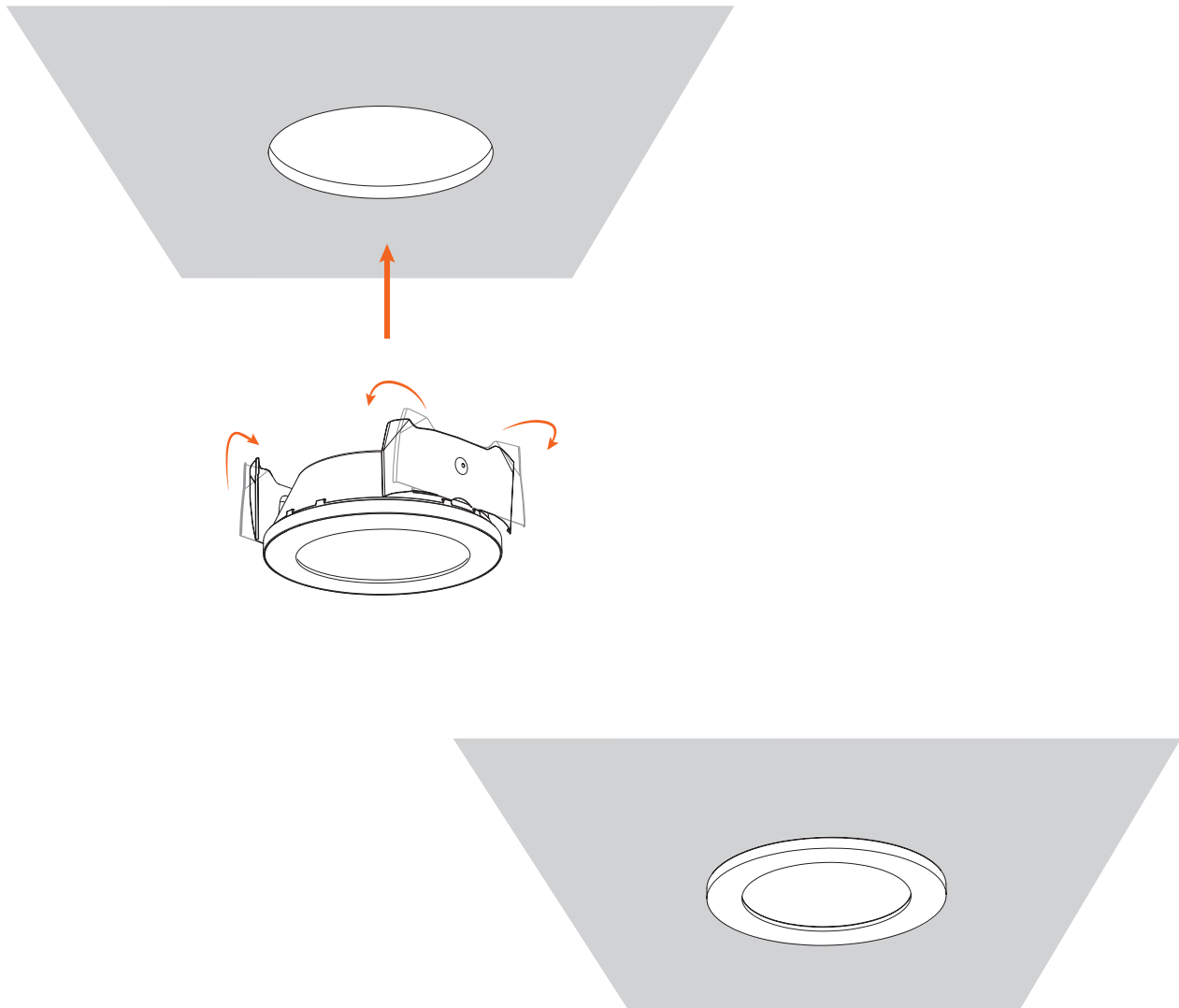
- Remove the Optic using the steps listed above.
- Place the desired Media within the Optic Holder Trim, then snap the Media Holder Trim to the Optic Holder.
- Holding the Optic Holder Trim re-attach optic to luminaire.
- The adjustable fixtures can use the Media Holder. You can add Media holder to be used with 2 media.



INSTALLATION

◆ **STEP 9 (Optional) | Trim Installation****FOR FLANGED**

- Compress the Spring Clips against the Trim body.
- Push Trim within Luminaire body until the makes contact to the ceiling.

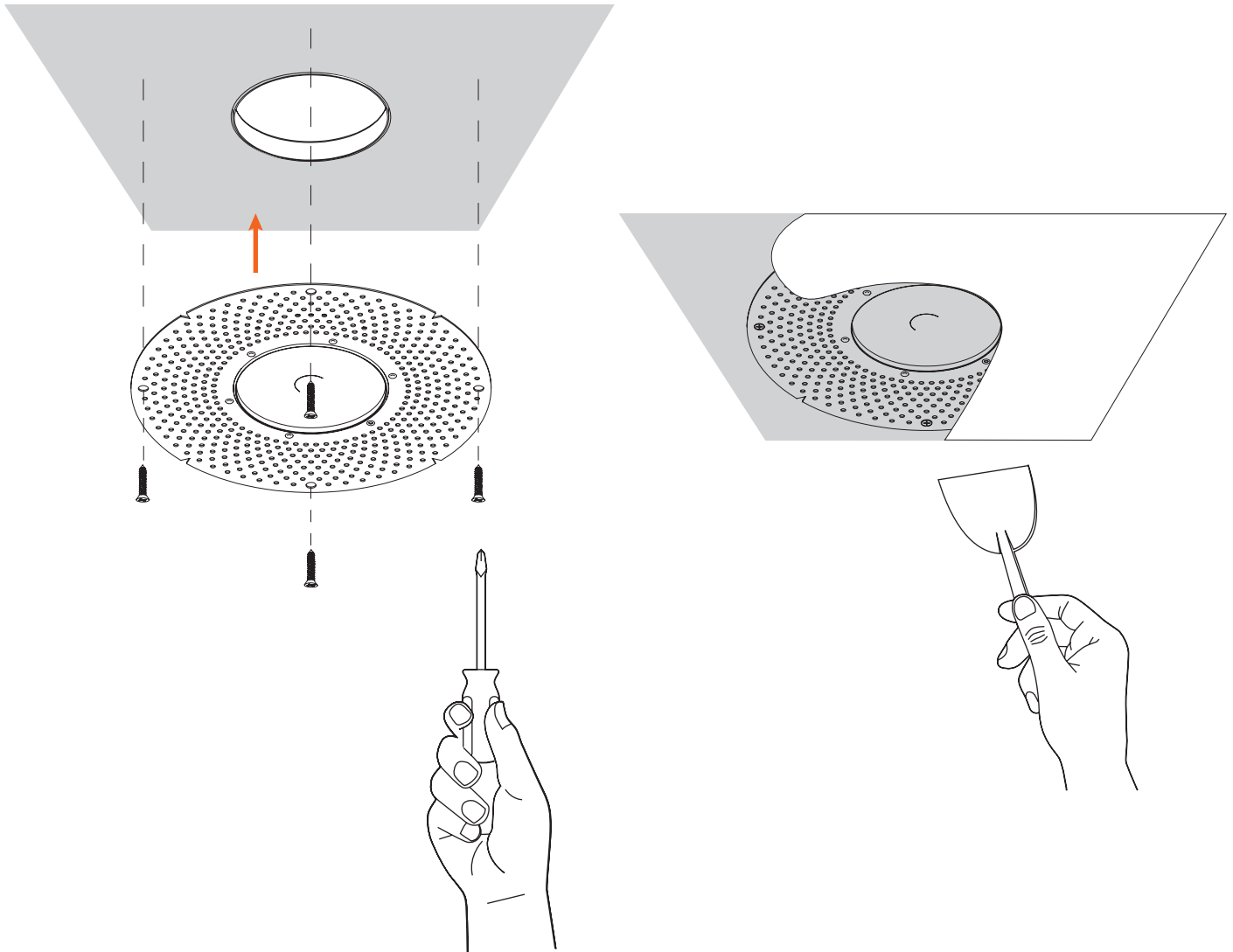


INSTALLATION

◆ STEP 9 (Optional) | Trim Installation

FOR TRIMLESS

- Align the mud ring to the desired position and centered to the luminaire collar.
- Using a #2 Phillips screwdriver fasten mud-ring to ceiling using the 4X screws provided.
- Make sure mud protector board is installed before mudding.
- With drywall knife apply mud to mud-ring up to the rim of the mud-ring. Ensure no mud goes beyond the rim. With a block sander smooth out bumps or unevenness. Repeat until ceiling is smooth.
- Paint ceiling and after paint is fully dry remove the mud protector board.
- Remove mud guard from mud ring.
- Compress the Spring Clips against the Trim body.
- Push Trim within mud-ring until it makes contact to the ceiling.





OTHERS

◆ RELATED INSTALLATION GUIDES

- ECO DOWNLIGHT 1", 3", 5" NIC/NC/RIC/RM MODELS